



SHERIFF FX

user manual

READING AND UNDERSTANDING
Instruction for use are required to use this product.



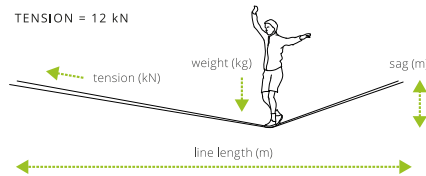
1. WARNING

For slacklining only. Understand and accept the risks involved before participating. You are responsible for your own actions and decisions. Before using this product, read and understand all instructions and warnings that accompany it and familiarize yourself with its proper use, capabilities and limitations. Contact Equilibrium Slacklines if you are uncertain about how to use this product. Do not modify this product in any way. Check the condition of product components before and after each use. Failure to read and follow these warnings can result in severe injury or death!

Maximum tension is **12 kN**.
Minimal sag in the middle of the line:

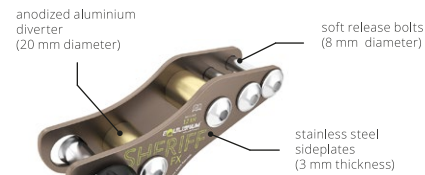
LINE LENGTH	WEIGHT				
	50 kg	60 kg	70 kg	80 kg	90 kg
40 m	0,42	0,50	0,58	0,67	0,75
50 m	0,52	0,63	0,73	0,83	0,94
60 m	0,63	0,75	0,88	1,00	1,13
70 m	0,73	0,88	1,02	1,17	1,31
80 m	0,83	1,00	1,17	1,33	1,50
90 m	0,94	1,13	1,31	1,50	1,69
100 m	1,04	1,25	1,46	1,67	1,88
110 m	1,15	1,38	1,60	1,83	2,06
120 m	1,25	1,50	1,75	2,00	2,25

TENSION = 12 kN



SHERIFF is not certified for usage in heights. Do not use this device higher than 1 m above the

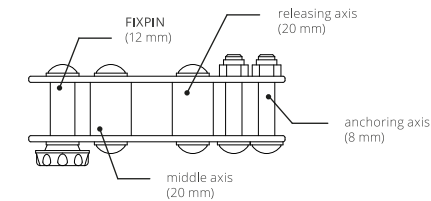
2. DESCRIPTION



FIXPIN

- quick and easy webbing attachment
- smooth pretensioning
- fixed in the solid body
- impossible to lose the pin

Sheriff is an anchoring device for 25 mm wide webbing. It is designed to anchor lines up to 100 m long / 12 kN tension. Locking mechanism allows to pretension the webbing in one way, whilst it is fixed in the other way. You can attach the releasing webbing to two rear bolts of Sheriff, so you avoid the danger of melting the webbing, while releasing. The middle axis diameter of 20 mm gives you more than 85% strength of the tensioned main line. Any 25 mm webbing can be attached to Sheriff via 2 attachment axis. The releasing webbing can be also used for tensioning a slackline up to 30 m long.

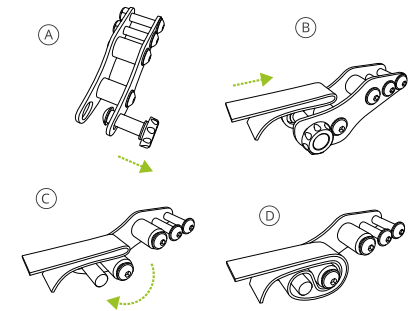


3. SAFETY RECOMMENDATIONS

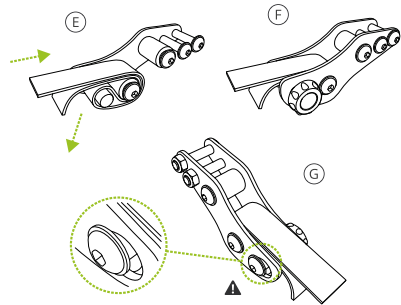
Always tie a stopper knot on the loose tail of webbing (the piece of webbing that comes out of the locking device) to prevent slipping of the line under high tensions. Always backup the anchoring device with a separate sling or a piece of rope to a secure anchor to prevent the metal parts flying around in case of the anchor failure. If you lack experience, use this equipment under proper supervision.

4. INSTRUCTION FOR USE

- Slide the Fixpin out of Sheriff
- Make a bend on webbing. Put it inside Sheriff between middle and rear axis. Webbing that will be tensioned must face up.
- Wrap the bend around middle axis.
- Put the bent webbing between front holes in the sideplates and slide the Fixpin through the bend back in the locked position. The Fixpin must be fully locked before putting any tension on the device! (see pic. G)

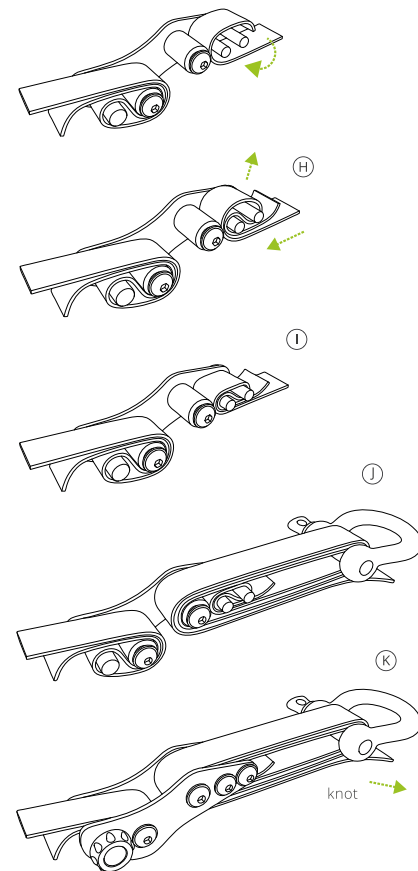


- Check the right position of the webbing. The line must be perfectly aligned without any twist inside of the device.
- The fixpin must be fully locked after installing the webbing and before tensioning the slackline!
- To pretension the slackline, pull out the bottom loose end of webbing, whilst feed the top layer of webbing inside Sheriff.



5. RELEASING WEBBING INSTALATION

- Put the free end of the releasing webbing between releasing and rear anchoring axis.
- Then run the free end of the releasing webbing back between both anchoring axis, so the top layer presses the bottom layer. Check the proper attachment of the releasing webbing.
- Wrap the releasing webbing around the releasing axis of Sheriff and the anchoring shackle or carabiner. We recommend 3 wraps for line up to 50m, for longer lines minimally 4-5 wraps
- Attach the free end of the releasing webbing with 2 knots or other proper way to a fix point.



6. CARE AND MAINTENANCE

Slacklining gear must not come into contact with corrosive materials such as battery acid, battery fumes, solvents, chlorine bleach, antifreeze, isopropyl alcohol or gasoline.

After contact with saltwater or salt air, always rinse the product with fresh water and dry it perfectly. Store in a dry place.

7. SPECIFICATION

SHERIFF FX TECHNICAL SPECIFICATIONS:	
maximum load	12 kN
minimal breaking strength	60 kN
weight	326 g
dimensions	125 x 45 x 51 mm
main diverter diameter	20 mm
inner width	26 mm

8. CONTACTS

Need help? Any questions?
Comments, compliments, complaints?

Check out www.eqb.cz or write us at info@eqb.cz

This product was completely designed by handsome slackliners and manufactured in the Czech Republic.

