



# PADDLE FX

user manual

**READING AND UNDERSTANDING**  
instruction for use are required to use this product.



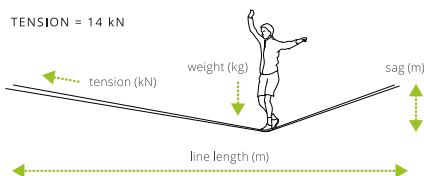
## 1. WARNING

For slacklining only. Understand and accept the risks involved before participating. You are responsible for your own actions and decisions. Before using this product, read and understand all instructions and warnings that accompany it and familiarize yourself with its proper use, capabilities and limitations. Contact Equilibrium Slacklines if you are uncertain about how to use this product. Do not modify this product in any way. Check the condition of product components before and after each use. Failure to read and follow these warnings can result in severe injury or death!

Maximum tension is **14 kN**.  
Minimal sag in the middle of the line:

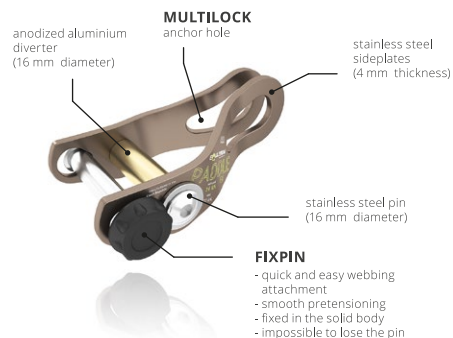
		WEIGHT				
		50 kg	60 kg	70 kg	80 kg	90 kg
LINE LENGTH	10 m	0,10	0,13	0,15	0,17	0,19
	20 m	0,21	0,25	0,29	0,33	0,38
	30 m	0,31	0,38	0,44	0,50	0,56
	40 m	0,42	0,50	0,58	0,67	0,75
	50 m	0,52	0,63	0,73	0,83	0,94
	60 m	0,63	0,75	0,88	1,00	1,13
	70 m	0,73	0,88	1,02	1,17	1,31
	80 m	0,83	1,00	1,17	1,33	1,50

TENSION = 14 kN



**!** PADDLE is not certified for usage in heights. Do not use this device higher than 1 m above the ground.

## 2. DESCRIPTION



**FIXPIN**  
- quick and easy webbing attachment  
- smooth pretensioning  
- fixed in the solid body  
- impossible to lose the pin

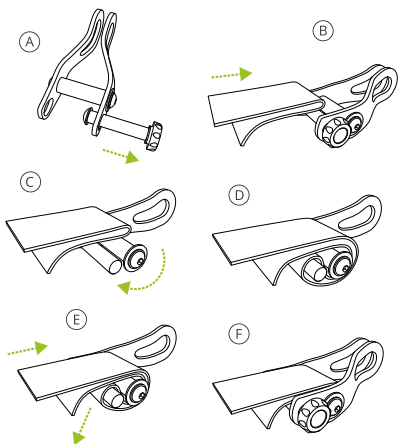
Paddle is an anchoring device for 50 mm wide webbing. It is designed to anchor tricklines up to 14 kN tension. Locking mechanism allows to pretension webbing in one way, whilst it is fixed in the other way. Paddle has smooth edges, so there is no danger of destroying the webbing. Thanks to middle axis with 26 mm diameter, the webbing retains more than 85% of its strength. Paddle FX can be attached to the anchor by most of available connectors (shackles, carabiners, quicklinks etc.).

## 3. SAFETY RECOMMENDATIONS

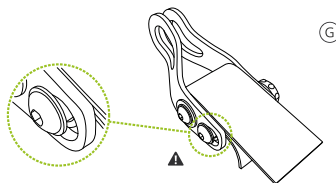
Always tie a stopper knot on the loose tail of webbing (the piece of webbing that comes out of the locking device) to prevent slipping of the line under high tensions. Always backup the anchoring device with a separate sling or a piece of rope to a secure anchor to prevent the metal parts flying around in case of the anchor failure. If you lack experience, use this equipment under proper supervision.

## 4. INSTRUCTION FOR USE

- A** Slide the Fixpin out of Paddle
- B** Make a bend on webbing. Put it inside Paddle between middle and rear axis. Webbing that will be tensioned must face up.
- C** Wrap the bend around middle axis.
- D** Put the bent webbing between front holes in the sideplates and slide the Fixpin through the bend into the locked position. The Fixpin must be fully locked before putting any tension on the device! (see pic. G)
- E** To pretension the slackline by hand, pull out the bottom loose end of webbing, whilst feed the top layer of webbing inside Paddle.
- F** Check the right position of the webbing. The line must be perfectly aligned without any twist inside of the device.

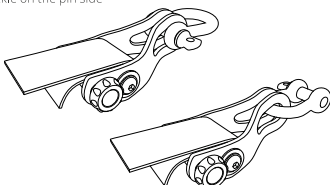


- G** The fixpin must be fully locked after installing the webbing and before tensioning the slackline!



## 5. COMPATIBILITY

shackle on the pin side



shackle on the bow side

PADDLE FX IS COMPATIBLE WITH THESE CONNECTORS:			
connector	size	pin	bow
inox shackle	10 mm	✓	✓
	12 mm	✓	✓
	14 mm	✓	✓
green pin shackle	3/8"	✓	✓
	1/2"	✓	✓
	5/8"	✓	✗
steel carabiner	all		✓
quick link (oval, daisy)	8 mm		✓
	10 mm		✓
	12 mm		✓

## 6. CARE AND MAINTENANCE

Slacklining gear must not come into contact with corrosive materials such as battery acid, battery fumes, solvents, chlorine bleach, antifreeze, isopropyl alcohol or gasoline.

After contact with saltwater or salt air, always rinse the product with fresh water and dry it perfectly. Store in a dry place.

## 7. SPECIFICATION

PADDLE FX TECHNICAL SPECIFICATIONS:	
maximum load	14 kN
minimal breaking strength	70 kN
weight	329 g
dimensions	121 x 40 x 79 mm
main diverter diameter	16 mm
inner width	51 mm

## 8. CONTACTS

Need help? Any questions?  
Comments, compliments, complaints?

Check out [www.eqb.cz](http://www.eqb.cz) or write us at [info@eqb.cz](mailto:info@eqb.cz)

This product was completely designed by handsome slackliners and manufactured in the Czech Republic.

